

RAILTECH BOUTET WELDING EQUIPMENT CATALOG 2008



Rail tech Boutet, Inc.
25 Interstate Drive
P.O. Box 69
Napoleon, OH 43545

~~Phone: (419) 592-5050~~
~~Fax: (419) 599-3630~~
~~info@railtechboutet.com~~
~~www.railtechboutet.com~~



TABLE OF CONTENTS

WELDING MATERIALS: STANDARD WELDS.....	3
WELDING MATERIALS: COMPROMISE WELDS.....	4 & 5
WELDING MATERIALS: WIDE GAP WELDS.....	6
HYDRAULIC PREHEATER PARTS (FOR REPAIR).....	6
HARDWARE FOR CJ WELDS.....	7
INFO SHEET: RAILTECH ALIGNMENT PLATES.....	8
INFO SHEET: RAILTECH STRAIGHT EDGE.....	9
STRAIGHT EDGE PARTS (REPAIR).....	10
INFO SHEET: RAILTECH RAIL ALIGNERS.....	11
RAIL ALIGNER PARTS (REPAIR).....	12
SMITH PREHEATING WELDING EQUIPMENT.....	13
INFO SHEET: 03800B RAIL PRE-HEATER.....	14

WELDING MATERIALS: STANDARD WELDS

BOUTET FIELD WELD SET

- 1 EA. ONE-SHOT CRUCIBLE
- 1 PR. PREFABRICATED MOLD
- 1 EA. WELDING CHARGE

ITEM

5502558540	CJ WELD SET 85
5502559020	CJ WELD SET 90 RA
5502559030	CJ WELD SET 90 RB
5502551020	CJ WELD SET 100 RA
5502551025	CJ WELD SET 100 RE
5502551030	CJ WELD SET 100 RB
5502551035	CJ WELD SET 100 NW
5525510551	CJ WELD SET 105 CRANE
5502551100	CJ WELD SET 110
5502551150	CJ WELD SET 115
5525511525	CJ WELD SET 115 1/4
5525511537	CJ WELD SET 115 3/8
5502551190	CJ WELD SET 119
5502551270	CJ WELD SET 127
5502551320	CJ WELD SET 132
5525513225	CJ WELD SET 132 1/4
5525513237	CJ WELD SET 132 3/8
5502551330	CJ WELD SET 133
5525513337	CJ WELD SET 133 3/8
5502551360	CJ WELD SET 136
5502551400	CJ WELD SET 140
5502551410	CJ WELD SET 141
5502551550	CJ WELD SET 155

BOUTET FIELD WELD KIT

- 1 EA. ONE-SHOT CRUCIBLE
- 1 PR. PREFABRICATED MOLD
- 1 EA. WELDING CHARGE
- 1 BG. PREMIXED PACKING SAND

ITEM

6602558540	CJ WELD KIT 85
6602559020	CJ WELD KIT 90 RA
6602559030	CJ WELD KIT 90 RB
6602551020	CJ WELD KIT 100 RA
6602551025	CJ WELD KIT 100 RE
6602551030	CJ WELD KIT 100 RB
6602551035	CJ WELD KIT 100 NW
6625510551	CJ WELD KIT 105 CRANE
6602551100	CJ WELD KIT 110
6602551150	CJ WELD KIT 115
6625511525	CJ WELD KIT 115 1/4
6625511537	CJ WELD KIT 115 3/8
6602551190	CJ WELD KIT 119
6602551270	CJ WELD KIT 127
6602551320	CJ WELD KIT 132
6625513225	CJ WELD KIT 132 1/4
6625513237	CJ WELD KIT 132 3/8
6602551330	CJ WELD KIT 133
6625513337	CJ WELD KIT 133 3/8
6602551360	CJ WELD KIT 136
6602551400	CJ WELD KIT 140
6602551410	CJ WELD KIT 141
6602551550	CJ WELD KIT 155

WELDING MATERIALS: COMPROMISE WELDS

BOUTET FIELD WELD SET

1 EA. ONE-SHOT CRUCIBLE

1 PR. PREFABRICATED MOLD

1 EA. WELDING CHARGE

5510090201	CJ COMP. SET 100/90 RA LEFT	5513213225	CJ COMP. SET 132/132 1/4
5510090202	CJ COMP. SET 100/90 RA RIGHT	5513213237	CJ COMP. SET 132/132 3/8
5510090301	CJ COMP. SET 100/90 RB LEFT	5513311501	CJ COMP. SET 133/115 LEFT
5510090302	CJ COMP. SET 100/90 RB RIGHT	5513311502	CJ COMP. SET 133/115 RIGHT
5510010035	CJ COMP. SET 100/100 NW	5513313325	CJ COMP. SET 133/133 1/4
5511090201	CJ COMP. SET 110/90 RA LEFT	5513611501	CJ COMP. SET 136/115 LEFT
5511090202	CJ COMP. SET 110/90 RA RIGHT	5513611502	CJ COMP. SET 136/115 RIGHT
5511590201	CJ COMP. SET 115/90 RA LEFT	5513611901	CJ COMP. SET 136/119 LEFT
5511590202	CJ COMP. SET 115/90 RA RIGHT	5513611902	CJ COMP. SET 136/119 RIGHT
5511510020	CJ COMP. SET 115/100 RA	5513612200	CJ COMP. SET 136/122
5511510025	CJ COMP. SET 115/100 RE	5513613200	CJ COMP. SET 136/132
5511510030	CJ COMP. SET 115/100 RB	5513613300	CJ COMP. SET 136/133
5511510035	CJ COMP. SET 115/100 NW	5513613625	CJ COMP. SET 136/136 1/4
5511511525	CJ COMP SET 115/115 1/4	5513613637	CJ COMP. SET 136/136 3/8
5511511537	CJ COMP SET 115/115 3/8	5514011901	CJ COMP. SET 140/119 LEFT
5511911001	CJ COMP. SET 119/110 LEFT	5514011902	CJ COMP. SET 140/119 RIGHT
5511911002	CJ COMP. SET 119/110 RIGHT	5514012700	CJ COMP. SET 140/127
5511911500	CJ COMP. SET 119/115	5514113200	CJ COMP. SET 141/132
5512711501	CJ COMP. SET 127/115 LEFT	5514113300	CJ COMP. SET 141/133
5512711502	CJ COMP. SET 127/115 RIGHT	5514113325	CJ COMP. SET 141/133 1/4
5513211501	CJ COMP. SET 132/115 LEFT	5514113625	CJ COMP. SET 141/136 1/4
5513211502	CJ COMP. SET 132/115 RIGHT	5515514000	CJ COMP. SET 155/140
5513212200	CJ COMP. SET 132/122		
5513212700	CJ COMP. SET 132/127		

WELDING MATERIALS: COMPROMISE WELDS (CONT'D)

BOUTET FIELD WELD KIT

1 EA. ONE-SHOT CRUCIBLE

1 PR. PREFABRICATED MOLD

1 EA. WELDING CHARGE

1 BG. PREMIXED PACKING SAND

6610090201	CJ COMP. KIT 100/90 RA LEFT	6613213237	CJ COMP. KIT 132/132 3/8
6610090202	CJ COMP. KIT 100/90 RA RIGHT	6613311501	CJ COMP. KIT 133/115 LEFT
6610090301	CJ COMP. KIT 100/90 RB LEFT	6613311502	CJ COMP. KIT 133/115 RIGHT
6610090302	CJ COMP. KIT 100/90 RB RIGHT	6613313325	CJ COMP KIT 133/133 1/4
6610010035	CJ COMP. KIT 100/100 NW	6613611501	CJ COMP. KIT 136/115 LEFT
6611090201	CJ COMP. KIT 110/90 RA LEFT	6613611502	CJ COMP. KIT 136/115 RIGHT
6611090202	CJ COMP. KIT 110/90 RA RIGHT	6613611901	CJ COMP. KIT 136/119 LEFT
6611590201	CJ COMP. KIT 115/90 RA LEFT	6613611902	CJ COMP. KIT 136/119 RIGHT
6611590202	CJ COMP. KIT 115/90 RA RIGHT	6613612200	CJ COMP. KIT 136/122
6611510020	CJ COMP. KIT 115/100 RA	6613613200	CJ COMP. KIT 136/132
6611510025	CJ COMP. KIT 115/100 RE	6613613300	CJ COMP. KIT 136/133
6611510030	CJ COMP. KIT 115/100 RB	6613613625	CJ COMP. KIT 136/136 1/4
6611510035	CJ COMP. KIT 115/100 NW	6613613637	CJ COMP. KIT 136/136 3/8
6611511525	CJ COMP KIT 115/115 1/4	6614011901	CJ COMP. KIT 140/119 LEFT
6611511537	CJ COMP KIT 115/115 3/8	6614011902	CJ COMP. KIT 140/119 RIGHT
6611911001	CJ COMP. KIT 119/110 LEFT	6614012700	CJ COMP. KIT 140/127
6611911002	CJ COMP. KIT 119/110 RIGHT	6614113200	CJ COMP KIT 141/132
6611911500	CJ COMP. KIT 119/115	6614113300	CJ COMP KIT 141/133
6612711501	CJ COMP. KIT 127/115 LEFT	6614113325	CJ COMP KIT 141/133 1/4
6612711502	CJ COMP. KIT 127/115 RIGHT	6614113625	CJ COMP KIT 141/136 1/4
6613211501	CJ COMP. KIT 132/115 LEFT	6615514000	CJ COMP. KIT 155/140
6613211502	CJ COMP KIT 132/115 RIGHT		
6613212200	CJ COMP. KIT 132/122		
6613212700	CJ COMP. KIT 132/127		
6613213225	CJ COMP. KIT 132/132 1/4		

WELDING MATERIALS: WIDE GAP WELDS

5550311500	CJ WELD SET 115 3" WGW
5550311900	CJ WELD SET 119 3" WGW
5550313200	CJ WELD SET 132 3" WGW
5550313300	CJ WELD SET 133 3" WGW
5550313600	CJ WELD SET 136 3" WGW
6660311500	CJ WELD KIT 115 3" WGW
6660311900	CJ WELD KIT 119 3" WGW
6660313200	CJ WELD KIT 132 3" WGW
6660313300	CJ WELD KIT 133 3" WGW
6660313600	CJ WELD KIT 136 3" WGW

HYDRAULIC PREHEATER PARTS (REPAIR)

HP-DB-1	DRIVE BELT
HP-14SEL	1/4" STREET EL (BRASS)
HP-34SEL45	3/4" STREET EL (45?)
HP-015PSI	0-15 PSI GUAGE
HP-ACV	ADJUSTABLE CARTRIDGE VALVE
HP-AP50	50' AIR/PROPANE HOSE (3/4" AIR x 3/8" PROPANE)
HP-PLUG	PLUG
HP-SPI-1	SPARK PROBE IGNITOR
HP-PSEB	PROPANE SWIRVEL ELBOW w/ BUSHING
HP-FE-1	AIR FILTER ELEMENT
HP-PT	PROPANE TEE

HARDWARE FOR CJ WELDS

Item #		API	RAILTECH ALIGNMENT PLATES
04085105	BASE PLATE 85-105#	26100000	TORCH STAND
04107140	BASE PLATE 107-141#	26110000	PREHEATING BURNER STAND (NEW)
04155000	BASE PLATE 155#	0781-0087	OXY-PROPANE REGULATORS
04310140	BASE PLATE 110-140# 3" WGW	RM-375-50	OXY-PROPANE HOSE 50' x 3/8"
32200000	BASE PLATE 85-141# COMP. W/ 4 FIXINGS	RCV-2002	FLASHBACK ARRESTORS
03085105	MOLD JACKET 85-105#	ET-1011	IN-LINE GUAGES
03110140	MOLD JACKET 110-141#	32100000	CJ FILTERING SYSTEM
03155000	MOLD JACKET 155#	32200000	CJ FILTER
03310140	MOLD JACKET 110-140# 3" WGW	33230000	PACKING FELT (BOX OF 30 BANDS)
32110140	MOLD JACKET UNIVERSAL COMP.	36000000	RAIL ALIGNER; A-FRAME
5556100002	CJ ONE-SHOT CRUCIBLE	36200000	STRAIGHT EDGE; MAGNETIC
5557100002	CJ FORK	STD 51292	TAPER GUAGE
5559100003	UNIVERSAL DEMOLDER	36300000	COOLING RETARDER CAP
10100000	SLAG BASIN	80100000	UMBRELLA - 8'
11100000	MOLD CLAMP	6661-008B	ALIGNMENT WEDGE - LG. GRADE B
13100000	REFRACTORY PASTE	22900000	HYDRAULIC PREHEATER COMPLETE
14100000	HOT CUT CHISEL	22500000	HYDRAULIC PREHEATER
15100008	PREMIXED PACKING SAND 8#	22600000	HYDRAULIC TORCH
15100010	PREMIXED PACKING SAND 10#	22700000	AIR-PROPANE HOSE - 50'
17100000	IGNTORS	22800000	FLEX HOSE - 20'
19100000	WEDGE	TS-450F	TEMPIL STICK-450F
25410000	VICTOR TORCH W/ FLAT HEAD	TS-700F	TEMPIL STICK-700F
0382-0015	VICTOR TORCH HANDLE	5558100002	PLUG PLIER

RAILTECH ALIGNMENT PLATES



The Railtech Alignment Plates allow the welder to accurately align the rails through lift, twist, and horizontal adjustment. The towers allow the rail to move vertically and reduce twist, while the base of the rail sits on the rail-saddle to stabilize and adjust by shifting horizontally.

Part Number: AP1

Railtech Straight Edge



The Magnetic Straight Edge allows the welder to align the weld with ease as well as crown the rails to the desired height. The magnet located at the end of the straight edge provides improved control and stability during the alignment process.

Part Number: 36200000

STRAIGHT EDGE PARTS (REPAIR)

SE-1	ADJUSTING SCREW KNOB	SE-12	THREADED NUT
SE-2	STEEL STRIP	SE-13	CONNECTOR FLANGE
SE-3	REINFORCING CLIP	SE-14	HM6X25 BOLT
SE-4	DISTANCE SLEEVE	SE-15	GROWER WASHER 6MM
SE-5	M6X10 SCREW	SE-16	MAGNET
SE-6	AXIS	SE-17	LABEL
SE-7	MECANINDUS PIN 4X35	SE-18	MAGNET SUPPORT
SE-8	M6 NYLSTOP NUT	SE-19	ADJUSTING SCREW SUPPORT
SE-9	MECANINDUS PIN 4X15	SE-20	MECANINDUS PIN 4X30
SE-10	ADHESIVE LABEL (INCHES)	SE-21	MECANINDUS PIN 5X12
SE-11	THREADED SCREW		



Railtech A-Frame Rail Aligners



The A-Frame aligners allow for exact alignment of the rails to be welded. To ensure the best alignment, both rails can be lifted, moved horizontally and rolled to eliminate twist in a quick, reliable way. The A-Frame aligners are designed for easy lifting, carrying and operation.

Part Number: 36000000

RAIL ALIGNER PARTS (REPAIR)

RA-1	FLEX HEAD SOCKET WRENCH	RA-21	CLAMPING JAW
RA-2	SHUNTING NUT SET	RA-22	SPRING N8
RA-3	MALE CAP	RA-23	SELF CUTTING SCREW CHC M6X10
RA-4	SELF CUTTING SCREW CHC M6X10	RA-24	CONNECTING ROD CENTRAL AXLE
RA-5	SPRING N11	RA-25	SHUNTING CONNECTING ROD AXLE
RA-6	PIN V4X25	RA-26	CLAMPING JAW CAP
RA-7	MAINTAINING CONNECTING ROD AXLE	RA-27	MECANINDUS PIN 5X35
RA-8	MAINTAINING CONNECTING ROD	RA-28	ADJUSTING SCREW
RA-9	MECANINDUS PIN 3X40	RA-29	2 TENONS NUT
RA-10	SPRING N8	RA-30	ADJUSTING SCREW SET (# 26-27-28-29)
RA-11	PIN V4X25	RA-31	INCLINING BLOCK
RA-12	SHUNTING CONNECTING ROD	RA-32	MECANINDUS PIN 5X25
RA-13	JOINTED FLANGE	RA-33	INCLINING SCREW
RA-14	MECANINDUS PIN 5X35	RA-34	2 TENONS NUT
RA-15	MECANINDUS PIN 8X35	RA-35	INCLINING SCREW SET (# 31-32-33-34)
RA-16	RIVET	RA-36	SHOULDERED AXLE M12
RA-17	WASHER LL6	RA-37	NYLSTOP NUT M12
RA-18	BEARING STUD AXZ 8X20X354	RA-38	SINGLE COIL SPRING LOCK WASHER 12.2
RA-19	FLANGE w/ INSERT		
RA-20	DESCENT GUIDE		





Smith Preheating & Welding Equipment

Part #	Description
RCV-2002SM	Smith Flashback Arrestors (set)
0781-0087SM	Smith Regulators HB1500 Series (Oxy/Propane set)
0781-0088SM	Smith Regulator HB1522B-510 (Propane)
0781-0089SM	Smith Regulator HB1510A-540 (Oxygen)
DG209SM	Smith 90° Cutting Torch Attachment
SC50-5SM	Smith Cutting Tip
0382-0015SM	Smith Torch Handle WH200
2541-0000SM	Smith Torch Tip (Specs. By Railtech, built by Smith)



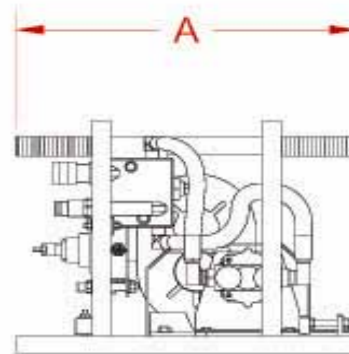
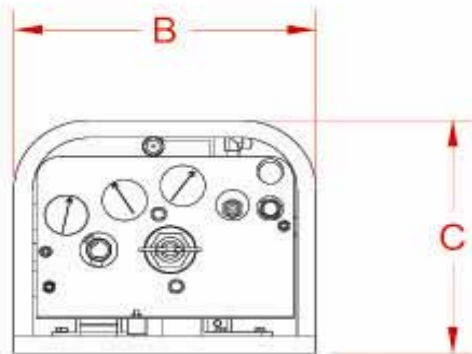
RAILTECH

25 Interstate Dr.
Napoleon, Ohio 43545
(419) 592-5050 Phone
(419) 599-3630 Fax

03800B RAIL PRE-HEATER

The Rail Pre-heater is a light weight and easy to use tool for heating rail ends before they are welded together. It features a hydraulically driven blower and uses bottled propane gas. It is designed to be safe and economical to use.

This product is proprietary to Railtech Boutet, Inc.
US patent no. 6,460,536B2



FLOW	PRESSURE	DIMENSIONS	WEIGHT
10 gpm (38 lpm)	2000 PSI (140 BAR)	A - 18" (457 mm) B - 16" (406 mm) C - 13-1/2" (343mm)	83 lbs. (33 kg)
	RPM 3400		

RAILTECH BOUTET, INC.

PHONE:(419) 592-5050

FAX:(419) 599-3630

RAILTECH reserves the right to change parts, features, or specifications without notice.